

CONFIDENTIAL



**UTHM**  
Universiti Tun Hussein Onn Malaysia

**UNIVERSITI TUN HUSSEIN ONN MALAYSIA**

**FINAL EXAMINATION  
(ONLINE)  
SEMESTER II  
SESSION 2019/2020**

COURSE NAME : AIRCRAFT STRUCTURE II  
COURSE CODE : BDL 30203  
PROGRAMME CODE : BDC  
EXAMINATION DATE : JULY 2020  
DURATION : 3 HOURS  
INSTRUCTION : ANSWER **FOUR (4)**  
QUESTIONS **ONLY**

THIS QUESTION PAPER CONSISTS OF **SIX (6)** PAGES

**CONFIDENTIAL**

**TERBUKA**

- Q1** (a) Briefly explain about biplane aircraft. State two advantages and disadvantages of biplane aircraft compared to monoplane aircraft. (8 marks)
- (b) An aircraft license technician intends to repair the crack on aircraft wing by using two plates of 4 mm thick. The plates are connected by means of rivet joint. The rivets used have a diameter of 4 mm. It is known that the failure strength of the rivet in shear and the ultimate tensile strength of the plate are  $355 \text{ N/mm}^2$  and  $445 \text{ N/mm}^2$ , respectively.
- (i) If the technician decided to set rivet spacing,  $b$  as 8 mm, determine either single riveted lap joint or single butt joint should be chose so that the failure will not occur. Note that the joint is designed so that failure due to shear in rivet and failure due to tension in plate will occur simultaneously.
- (ii) Determine the maximum rivet spacing,  $b$  if the plates are connected by single riveted lap joint.
- (iii) Calculate the joint efficiency for single riveted lap joint for the case stated in (ii).
- (iv) Calculate the diameter of the rivet and thickness of the plate that should be used if the edge load,  $P$  applied is  $800 \text{ N/mm}$  for the case of single riveted lap joint. The rivet spacing is maintained as obtained in (ii). (17 marks)
- Q2** (a) Consider the two element system as shown in **Figure Q2(a)** where Node 1 is attached to a fixed support, yielding the displacement constraint  $U_1=0$ ,  $k_1=9 \text{ kN/m}$ ,  $k_2=13 \text{ kN/m}$ . Applied forces,  $F_2=F_3=333 \text{ N}$ . For these conditions:
- (i) Sketch Free Body Diagram for the system.
- (ii) Determine nodal displacements  $U_2$  and  $U_3$ . (8 marks)
- (b) The doubly symmetrical fuselage section shown in **Figure Q2(b)** has been idealized into an arrangement of direct stress carrying booms and shear stress carrying skin panels. The boom area is  $150 \text{ mm}^2$  each. When the section is subjected to shear loads of  $50 \text{ kN}$  and a bending moment of  $100 \text{ kNm}$ , calculate:
- (i) The direct stresses in the booms
- (ii) The shear flows in the panels. (17 marks)

TERBUKA

- Q3** (a) The study of aeroelasticity may be broadly classified into two fields i.e. static aeroelasticity and dynamic aeroelasticity. Describe these two classes of aeroelasticity and explain flutter and buffeting phenomena in aircraft structure. (10 marks)
- (b) **Figure Q3(b)** shows an aircraft having a total weight of 45 kN lands on the deck of an aircraft carrier. It is brought to rest by means of a cable engaged by an arrester hook. If the deceleration induced by the cable is 3g, determine:
- (i) The tension of the cable, T.
  - (ii) The load on an undercarriage strut.
  - (iii) The shear and axial loads in the fuselage at the section A-A (the weight of the aircraft aft of A A is 40 kN).
  - (iv) The length of deck covered by the aircraft before it is brought to rest if the touch-down speed is 25 m/s
- (15 marks)
- Q4** (a) Briefly explain Finite Element Method (FEM). Give four advantages of the FEM over a conventional approach. (7 marks)
- (b) The cross section of a wing's stringer shown in **Figure Q4(b)** is subjected to a bending moment of 1500 Nm and -1000 Nm acting in the vertical and horizontal planes, respectively.
- (i) Determine the location of neutral axis of the stringer.
  - (ii) Calculate the maximum direct stress due to bending moment.
  - (iii) State the point/line where the maximum direct stress acts.
- (18 marks)
- Q5** (a) A buckling test is conducted on the wing strut (rod AB) of DH.82 Tiger Moth aircraft as shown in **Figure Q5(a)**. It is made of A-36 steel ( $E=200$  GPa) with a diameter of 32mm and connected by pin at its ends.
- (i) Determine the maximum force P that can be applied to the handle so that the rod AB does not buckle.
  - (ii) Calculate the critical stress,  $\sigma_{cr}$  experienced by rod AB.
  - (iii) If the force P of 70 kN is applied, calculate the factor of safety for rod AB with respect to buckling.
- (8 marks)

TERBUKA

- (b) **Figure Q5(b)** shows the front view of a wing spar for an aircraft which carries a non-uniform load distribution. Each flange has a cross section of  $500 \text{ mm}^2$  with top flange being horizontal.
- (i) If the flanges are assumed to resist all direct loads while the spar web is effective only in shear, determine the flange loads and the shear flows in the web at sections 2.
- (ii) If the web in the wing spar has a thickness of 2 mm and is fully effective in resisting direct stresses, calculate the maximum value of shear flow in the web at a section 2.
- (17 marks)

- END OF QUESTIONS -

TERBUKA

FINAL EXAMINATION

SEMESTER / SESSION : SEM II/2019/2020 PROGRAMME CODE: BDC  
 COURSE : AIRCRAFT STRUCTURE II COURSE CODE : BDL 30203

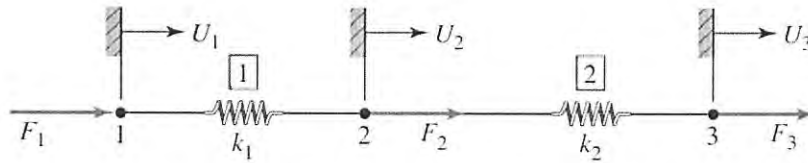


Figure Q2(a)

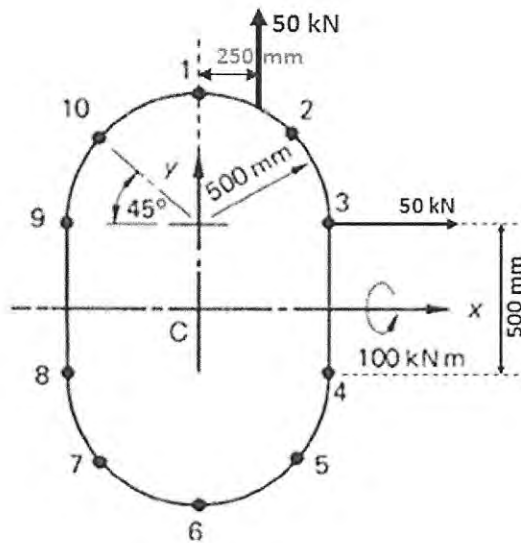


Figure Q2(b)

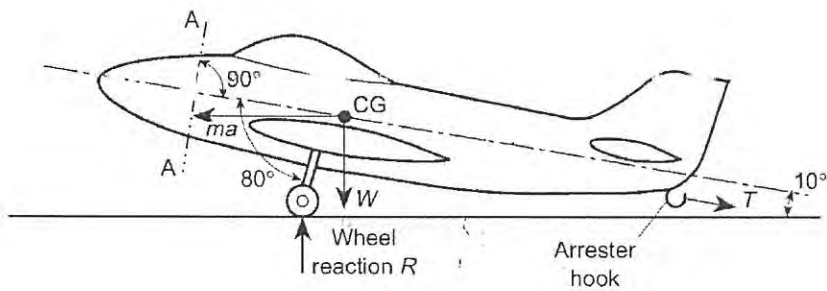


Figure Q3(b)

TERBUKA

FINAL EXAMINATION

SEMESTER / SESSION : SEM II/2019/2020 PROGRAMME CODE: BDC  
 COURSE : AIRCRAFT STRUCTURE II COURSE CODE : BDL 30203

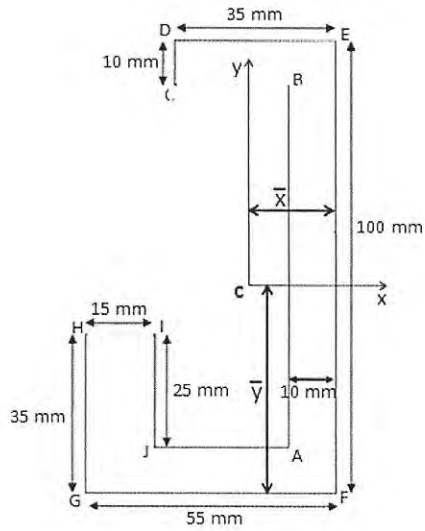


Figure Q4(b)

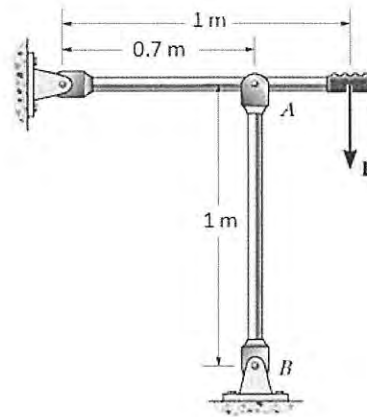


Figure Q5(a)

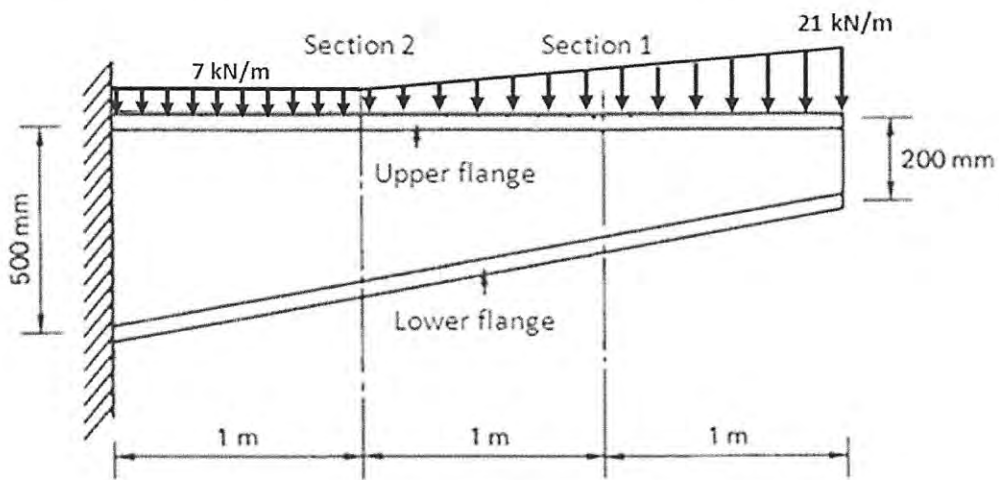


Figure Q5(b)

TERBUKA